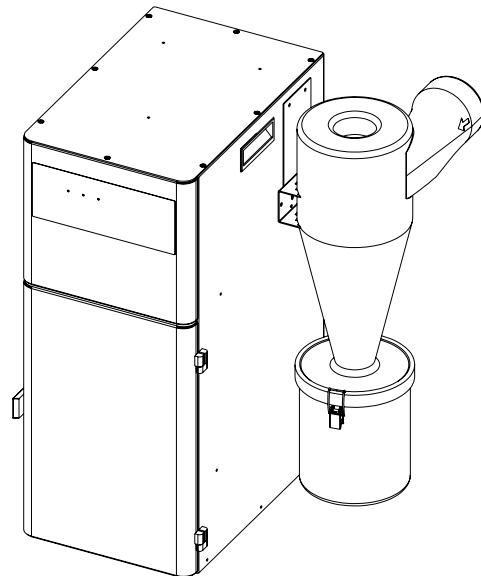


PACKING LIST

- 1 - StoneVac MillSync
- 2 - 2½" x 6' Hose
- 1 - Plastic Disposal Bag
- 1 - Power Cord
- 1 - Accumulator
- 1 - 2½" Elbow (black)
- 1 - Mill Remote

IMPORTANT SERVICE INFORMATION:
SAVE SHIPPING BOX AND FOAM FOR FUTURE SERVICE. SHIPPING WITHOUT PROPER FOAM MAY CAUSE DAMAGE TO UNIT



INSTRUCTIONS

1. Remove the unit and other parts from the packaging and check against the packing list. Remove the hose from inside the dust bin as well as any protective packing material.
2. Plug one end of the power cord into the back of the StoneVac and the other end into a designated 15 AMP circuit. Turn on the StoneVac by flipping the main power switch on the back of the Unit into the *ON* position. Once the switch is in the *ON* position, the red LED indicator on the front of the unit will illuminate.
3. Mount the Accumulator according to the mounting instructions included with it or assemble the bracket to the dust collector as illustrated above. Remove the two screws provided on the side of the unit and use them to fasten the bracket to the vacuum.
4. Insert the black 2½" Elbow into the top of the Accumulator. Connect one of the 2½" x 6' Hoses to the back of the StoneVac then into the 2½" Elbow. The second 2½" x 6' Hose should be inserted into the horizontal arm of the Accumulator then to the mill.
5. When you are ready to use your StoneVac, press the button on the front of the unit labeled *START/STOP* (Fig. 1). Once pressed, the motor will begin to run at the lowest available speed and the green LED indicator will illuminate on the front of the StoneVac.

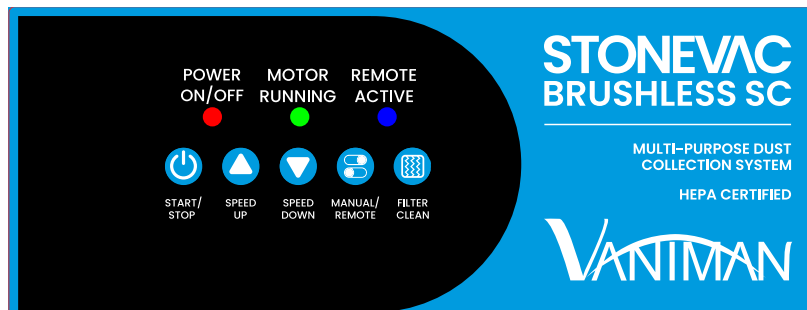


Fig. 1

6. While the motor is running you can increase suction by pressing the *SPEED UP* button, or decrease suction by pressing the *SPEED DOWN* button until you find an acceptable level of suction for your application.
7. While the StoneVac Brushless SC can be controlled at the unit's front control panel, it also can be controlled remotely with one of Vaniman's remotes. To use a remote with the StoneVac Brushless SC, start by setting the desired suction level for your application by starting the motor, increasing or decreasing the speed of the motor, then stop the motor.

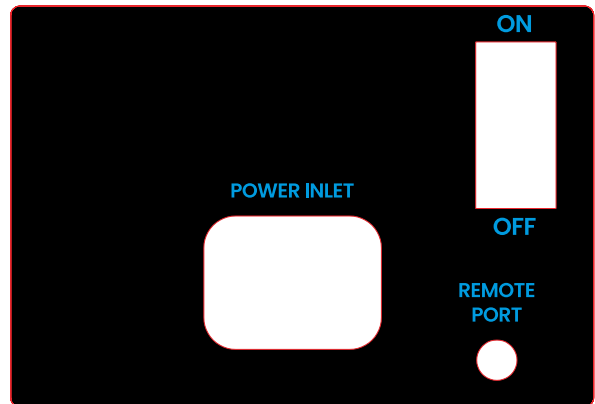


Fig. 2

8. Plug the mill remote into the *REMOTE PORT* (Fig. 2) on the back of the unit then press the *MANUAL/REMOTE* button on the front of the unit (Fig. 1). The blue LED indicator on the front control panel will illuminate signifying the unit is being controlled by the connected remote(s). Test this by flipping your remote switch into the *ON* position and the StoneVac will start running at the speed you set it at in step #6.

MAINTENANCE

- 1. Cleaning the Filter** - When a noticeable drop in suction occurs in the unit, it is time to clean the filter. To clean the filter, simply press the *FILTER CLEAN* button on the front control panel. This can be done while the motor is stopped, or while the motor is actively running. If pressed while the motor is running, the system will stop the motor for 2-3 seconds, activate the filter shaker motor, then turn the motor back on at the previously set speed. The StoneVac Brushless SC also has an automatic filter cleaning feature that will perform the same sequence outlined above every four hours of motor run time. The automatic filter cleaning significantly increases the life of your filter and motor.
- 2. Emptying the Dust Bin** - Depending on usage, the unit will need to be emptied at different intervals. To check the level of dust in the bin, open the door and observe the dust level. To empty, open the door and slide the bin from the unit. Pull the edges of the bag together to close the bag for disposal. Replace the bag with a Vaniman replacement and carefully slide the dust bin back into the unit. Replacement bag re-order number **P/N 97002** (pack of 12).
- 3. Servicing or Replacing the Filter Cartridge** - Regularly check the filter to make sure it is secure and properly seated against the filter mounting/sealing plate. Periodically, the filter cartridge will become worn or clogged beyond the use of the "CLEAN" feature. In cases when dust collector usage is heavy, changing interval may be as frequent as 3-6 months. To replace the filter, follow the instructions above to remove and empty the dust bin. With the dust bin removed, reach underneath the Filter Cartridge and unscrew the filter retaining nut. Remove the nut and washers and pull the filter downward then forward out of the unit. Replace the filter with a new filter cartridge then reverse removal instructions for proper installation. Filter Cartridge re-order **P/N 97001**.

NOTE: Be sure to replace the rubber washer **FIRST** and the metal washer **SECOND**. Securely fasten the filter retaining nut. Improper installation may cause dust to pass into the air.

- 4. Electrical Protection** - The StoneVac is electrically protected by a circuit breaker switch (main disconnect switch on the back of the unit). If the StoneVac Brushless SC experiences a surge of electricity the circuit breaker switch will disconnect the unit from the power supply. To reset the unit, flip the main disconnect switch into the OFF position, wait 5 seconds, then back to the ON position. If the unit still does not operate, contact your dealer or call the factory at 1-800-VANIMAN for technical assistance.
- 5. Thermal Protection** - The brushless motor is thermally protected is virtually maintenance free. However, if improper ventilation is not provided to the unit, it may overheat and shut down. Allow the unit to cool fully, correct the ventilation problem and restart the unit.

ADDITIONAL PARTS AND ACCESSORIES

Remotes for Supported Mills:

Lava	→	PN: 10514
LaserDental	→	PN: 96054
VHF K5 Impresson	→	PN: 96078
Zirkon Zahn	→	PN: 10523
IMES Mill	→	PN: 96077
Yenna Mill M450i	→	PN: 10520
DentalMachine (A5, C5, C6)	→	PN: 11063
Digital Dental	→	PN: 10525
ARUM 5X-300	→	PN: 11065
Roland Mills (All)	→	PN: 11054
Wieland, Zenotec, Preciso M200, MasterMill, BruxZir, CAM 4-K4, CAM 5-S1, CAMV 5-S2	→	PN: 96059

Kits and Adapters:

StoneVac Tee Adapter	→	PN: 10205
Mill Cleaning Kit	→	PN: 10511

REPLACEMENT PARTS

The following items are offered to enhance the usage of your quality Vaniman unit. These items can be order through your supplier using the following part numbers. Please feel free to contact Vaniman Mfg. Co. with questions regarding our products.

Fig. #	Description	Reorder Part Number
1	Replacement Shaker Motor	97003
2	Wing Nut	2847
3	Washer	2868
4	Rubber Washer	1783
5	Replacement Filter (includes rubber washer)	97001
6	Speed Control Power PCB	5216
7	Main Disconnect Switch	3285
8	Speed Control Interface PCB	5171
9	Motor Plate Screw, 6-32 x 1/2" Pan MS	2080
10	Top Panel Screw, 6-32 x 3/8" FHMS	3005
11	Motor Plate Joining Screw, 6-32 x 3/8" Pan SMS	1421A
12	Replacement Speed Control Motor	97035
13	Door Latch	3040
14	Door Gasket	97150
Not Shown	Shaker Clamp	3526
Not Shown	Power Cord	3006

